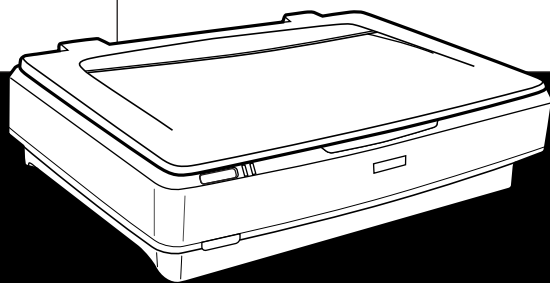


EPSON

Color Image Scanner



EPSON EXPRESSION™ 10000 XL

Setup Guide

4048301-00
XXX

Where to Find Information

Setup Guide (this document)

Describes how to set up the scanner, install the scanner software, and use the scanner to perform basic scanning. It also covers how to install options.

Online Reference Guide



The CD-ROM shipped with your scanner includes the following guide as well as the scanner driver.

Provides basic information about scanning. It also includes information on settings and functions of the scanner software (EPSON Scan.) Information is also available on maintenance, troubleshooting, technical specifications, and customer support.

Information on Epson Scanner Software (online help)

Provides you with detailed information on EPSON Scan. To access the *Software online help*, click the Help button in the EPSON Scan window.

Information on other Software

Refer to the respective documentation for the information.

EPSON®

EPSON EXPRESSION™ 10000 XL

Color Image Scanner

Setup Guide

<i>1 Safety Instructions</i>	<i>1</i>
<i>2 Getting to Know Your Scanner</i>	<i>3</i>
<i>3 Installing the Software.</i>	<i>5</i>
<i>4 Setting Up the Scanner.</i>	<i>8</i>
<i>5 Using Your Scanner.</i>	<i>14</i>
<i>6 Options.</i>	<i>18</i>
<i>7 Problems?.</i>	<i>29</i>

All rights reserved. No part of this publication may be reproduced, stored in a retrieval system, or transmitted in any form or by any means, electronic, mechanical, photocopying, recording, or otherwise, without the prior written permission of Seiko Epson Corporation. No patent liability is assumed with respect to the use of the information contained herein. Neither is any liability assumed for damages resulting from the use of the information contained herein.

Neither Seiko Epson Corporation nor its affiliates shall be liable to the purchaser of this product or third parties for damages, losses, costs, or expenses incurred by purchaser or third parties as a result of: accident, misuse, or abuse of this product or unauthorized modifications, repairs, or alterations to this product.

Seiko Epson Corporation and its affiliates shall not be liable against any damages or problems arising from the use of any options or any consumable products other than those designated as Original Epson Products or Epson Approved Products by Seiko Epson Corporation.

EPSON Scan is based in part on the work of the Independent JPEG Group.

EPSON is a registered trademark of Seiko Epson Corporation.

Microsoft and Windows are registered trademarks of Microsoft Corporation in the United States of America and other countries.

Adobe, Acrobat Reader, and Photoshop are registered trademarks of Adobe Systems Incorporated.

Apple, Macintosh, Mac, iMac, and Power Macintosh are registered trademarks of Apple Computer, Inc.

SilverFast is either a registered trademark or trademark of LaserSoft Imaging AG in the United States of America and other countries.

General Notice: Other product names used herein are for identification purposes only and may be trademarks of their respective companies.

Copyright © 2004 by Seiko Epson Corporation, Nagano, Japan.

Warnings, Cautions, and Notes



Warnings must be followed carefully to avoid bodily injury.



Cautions must be observed to avoid damage to your equipment.

Notes contain important information and useful tips on the operation of your scanner.

1 *Safety Instructions*

Important Safety Instructions

Read all these instructions, and save them for later reference. Follow all warnings and instructions marked on the scanner.

- ❑ Unplug the scanner before cleaning. Clean with a damp cloth only. Do not spill liquid on the scanner.
- ❑ Do not place the scanner on an unstable surface, or near a radiator or heat source.
- ❑ Use only the power cord that comes with this product. Use of another cord may result in fire or electric shock.
- ❑ This product's power cord is for use with this product only. Use with other equipment may result in fire or electric shock.
- ❑ Use only the type of power source indicated on the scanner's label and always supply power directly from a standard domestic electrical outlet with the power cord that meets the relevant local safety standards.
- ❑ Connect all equipment to properly grounded electrical outlets. Avoid using outlets on the same circuit as photocopiers or air control systems that regularly switch on and off.
- ❑ Do not allow the power cord to become damaged or frayed.
- ❑ If you are using an extension cord with the scanner, make sure the total ampere rating of the devices plugged into the extension cord does not exceed the cord's ampere rating. Also, make sure the total ampere rating of all devices plugged into the electrical outlet does not exceed the electrical outlet's ampere rating.

- ❑ Except as specifically explained in this *Setup Guide* and the *Online Reference Guide*, do not attempt to service the scanner yourself.
- ❑ Unplug the scanner and refer servicing to qualified service personnel under the following conditions:
 - ❑ If the power cord or plug is damaged.
 - ❑ If liquid has entered the scanner.
 - ❑ If the scanner has been dropped or the case damaged.
 - ❑ If the scanner does not operate normally or exhibits a distinct change in performance. (Do not adjust controls that are not covered by the operating instructions.)
- ❑ **For Hong Kong and Singapore users:**
Replace fuses only with those with of the correct size and rating.
- ❑ If you plan to use the scanner in Germany, observe the following:

To provide adequate short-circuit protection and over-current protection for this scanner, the building installation must be protected by a 10 or 16 Amp circuit breaker.

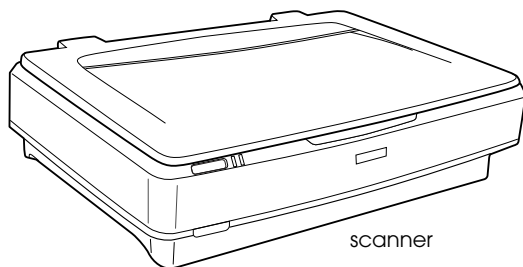
Note for German-speaking users:

Bei Anschluss des Scanners an die Stromversorgung muss sichergestellt werden, dass die Gebäudeinstallation mit einer 10A- oder 16 A-Sicherung abgesichert ist.

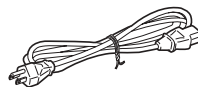
2 Getting to Know Your Scanner

Unpacking the Scanner

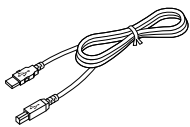
Your EPSON Expression 10000XL comes shipped with CD-ROMs that include driver software to run your scanner, and some additional items. The contents may vary in certain locations.



scanner



power cord



USB interface cable



Setup Guide



CD-ROMs

Options

The following options are available to expand the versatility of your scanner. For detailed information on the use of these options, see “Options” on page 18.

Note:

Some options are not available in some areas.

A3 Transparency Unit (B81336*)

Allows you to scan transparent materials primarily 35 mm slides and filmstrips. The Transparency Unit’s reading area allows you to scan films up to 309 x 420 mm in size.

A3 Automatic Document Feeder (B81321*)

Allows you to scan up to 100 single- or double-sided pages automatically. This option feeds a document from the top page down, which preserves the original page order.

Using this option with an optical character recognition (OCR) software, you can use the scanned text in word processing programs as if you had typed it by yourself.

EPSON Network Image Express Card (B80839*)

Enables an Epson scanner supporting EPSON Scan and network connection to become shareable on a network. This allows you to perform various scanning operations in a network environment using less power and space. For more information, see the manual that comes with this product.

Note:

The asterisk is a substitute for the last digit of the product number, which varies by country.

3 Installing the Software

The software CD contains the scanner software and the *Online Reference Guide*.

You must install the software BEFORE connecting the scanner to your computer.

Note:

- ❑ *For Windows XP and Windows 2000, you need the administrative privilege to install the software.*
- ❑ *EPSON Scan does not support the UNIX File System (UFS) for Mac OS X. You must install the software on a disk or in a partition that does not use UFS.*

Note for Mac OS X 10.3 users:

Do not use the Fast User Switching function while using Expression 10000XL.

Insert the software CD in the CD-ROM or DVD drive, and then start the installer following the instructions below.

For Windows users

1. The installer starts automatically. If necessary, start it by double-clicking the EPSON CD-ROM icon.
2. If a message appears to prompt you to disable your antivirus software, click Continue.
3. If you are prompted to select a language, select your preferred language.
4. On the Software Installation screen, click Install EPSON Scan. Follow the on-screen instruction until all of the software is installed.

5. On the Software Installation screen, click Install Reference Guide. Follow the on-screen instruction until all of the software is installed.
6. When a message appears to indicate that installation is complete, click Exit.

Note:

If you do not have Adobe Photoshop Elements and LaserSoft SilverFast on your computer yet, install them from the CD-ROM included with your scanner. To install the software, insert the Photoshop CD or SilverFast CD in the CD-ROM drive, and then follow the on-screen instructions.

For Macintosh users

Installing EPSON Scan

1. For Mac OS X users:

Double-click the EPSON CD-ROM icon on your desk top. Double-click the EPSON Scan folder in the EPSON folder, and then double-click the Mac OS X folder.

For Mac OS 9 users:

Double-click the EPSON Scan folder in the EPSON folder. Double-click the Mac OS 9 folder, and then double-click your preferred language folder. If the EPSON Scan folder does not open automatically, double-click the EPSON CD-ROM icon.

2. Double-click the EPSON Scan Installer icon, and then follow the on-screen instruction until all of the software is installed.

For Mac OS X users:

If the Authenticate window appears, click the key icon, enter the administrator's name and password, and then click OK.

3. When a message appears to indicate that installation is complete, click Quit.

Installing Reference Guide

1. For Mac OS X users:

Double-click the EPSON CD-ROM icon on your desk top, and then double-click the Manual folder in the EPSON folder.

For Mac OS 9 users:

Double-click the Manual icon in the EPSON folder. If the EPSON Scan folder does not open automatically, double-click the EPSON CD-ROM icon.

2. Double-click the language folder you prefer and then double-click the Installer icon. Follow the on-screen instruction until all of the software is installed.
3. When a message appears to indicate that installation is complete, click OK.

Note:

If you do not have Adobe Photoshop Elements and LaserSoft SilverFast on your computer yet, install them from the CD-ROM included with your scanner. To install the software, insert the Photoshop CD or SilverFast CD in the CD-ROM drive, and then follow the on-screen instructions.

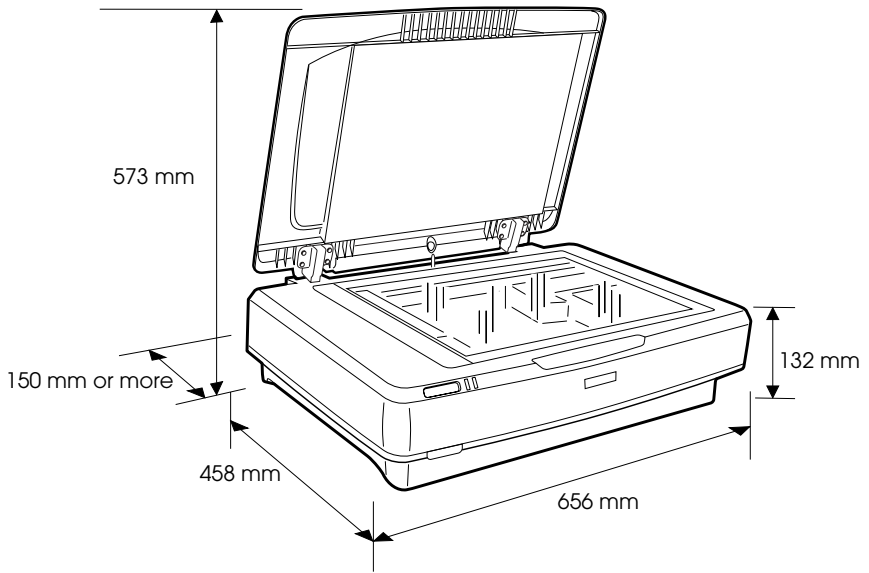
4 *Setting Up the Scanner*

Choosing a Place for the Scanner

Follow the guidelines below when selecting a location for your scanner.

- Place the scanner on a flat, stable surface. The scanner does not operate properly if it is tilted at an angle.
- Place the scanner close enough to the computer for the interface cable to reach it easily.
- Place the scanner near an electrical outlet where the power cord can be easily unplugged.
- Keep the scanner away from high temperature, humidity and excessive dirt or dust. Also avoid using or storing the scanner in places subject to rapid changes of temperature and humidity.
- Keep the scanner away from direct sunlight and strong light sources.
- Avoid places subject to shocks and vibrations.

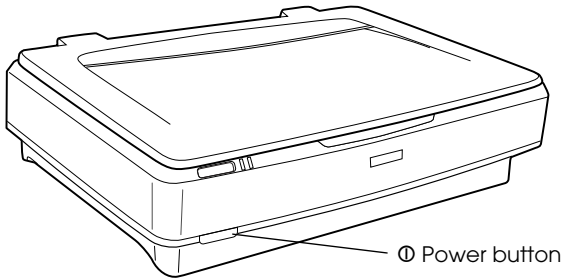
- ❑ Allow space behind the scanner for the cables, and space above the scanner so that you can fully raise the document cover.



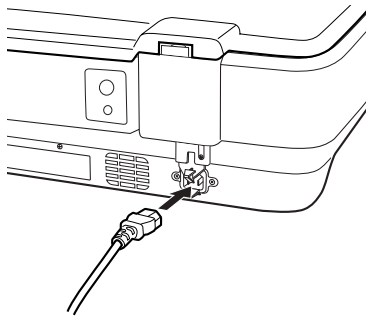
Setting Up

You must install the software **BEFORE** connecting the scanner to your computer.

1. Make sure that the scanner is turned off. The scanner is off when the Ⓟ Power button is raised.




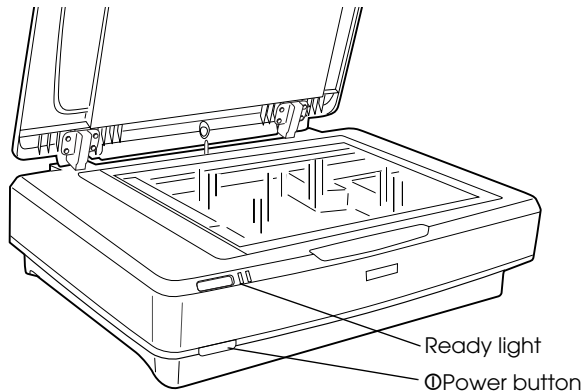
2. Connect the power cord to the AC inlet on the back of the scanner, and then plug the other end into an electrical outlet.



Note:

When you connect the power cord to the AC inlet, you need to force it in at the entrance; otherwise, the transportation lock will not be released.

3. Turn on the scanner by pressing the  Power button.



The scanner turns on and starts initialization. The Ready light flashes in green until the scanner finishes initialization; it then stops flashing and stays green. This indicates that the scanner is ready for use.



Caution:

Whenever you turn off the scanner, wait at least 10 seconds before turning it back on.

Connecting the Scanner to Your Computer

See the sections below to connect the scanner using the USB or IEEE 1394 interface.

Note:

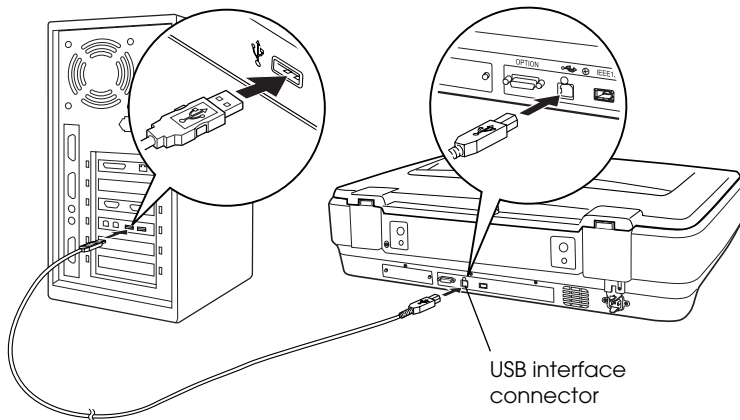
- Be sure to install the scanner software before connecting the scanner to your computer. See “Installing the Software” on page 5 for details.*
- Do not use the USB interface cable and an IEEE 1394 interface cable at the same time.*
- Do not connect or disconnect the USB interface cable and an IEEE 1394 interface cable when the scanner is in use.*

Connecting the scanner using the USB interface cable

Note:

The USB 2.0 Hi-speed connection is not supported by Windows 98, Windows Me, and Mac OS 9.

Connect one end of the supplied USB interface cable to the USB port on the back of the scanner, and the other end to an USB hub or the USB port on your computer.



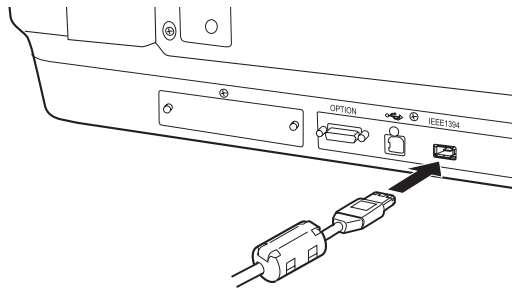
Note:

- ❑ For USB 2.0 Hi-speed connection, make sure USB 2.0 Host Driver by Microsoft is installed on your computer.
- ❑ If you connect your scanner through more than one hub, your system may not work properly. In this case, try connecting the scanner directly to the computer's USB port. Also, your system may not work properly if you use an USB interface cable other than the one supplied by Epson.

Connecting the scanner using an IEEE 1394 interface cable

Note:

- ❑ IEEE 1394 interface connection is not supported by Windows 98.
 - ❑ Prepare an IEEE 1394 interface cable before performing this operation.
1. Connect one end of an IEEE 1394 interface cable to the IEEE 1394 port on the back of the scanner.



2. Connect the other end of the cable to the IEEE 1394 port on your computer, or another IEEE 1394 device.

If there are already IEEE 1394 devices connected to your computer, connect the scanner so that it is the last IEEE 1394 device in the daisy chain.

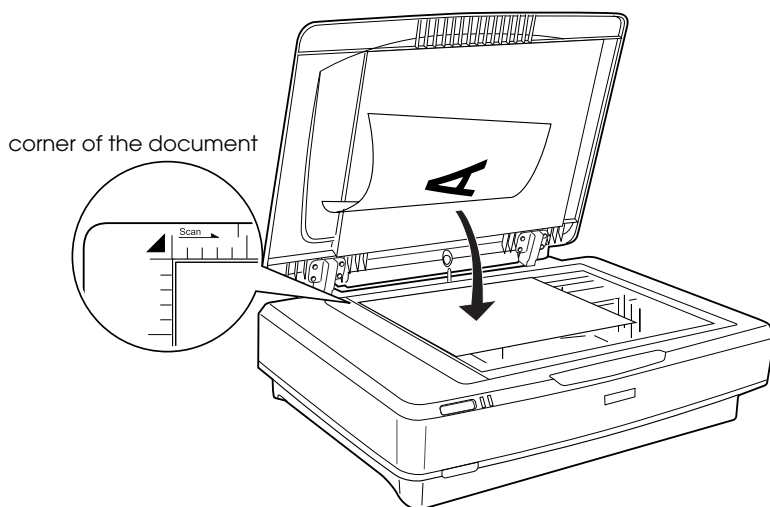
Note:

Basically, use an IEEE 1394 interface cable that comes with 2 six-pin connectors at each end. If IEEE 1394 devices with four-pin connectors are used in a daisy chain or tree, you need to use a 6:4 converter cable.

5 Using Your Scanner

Placing a Document

1. Make sure the scanner is turned on.
2. Open the document cover and place the document face down on the document table.



Note:

An area of 1 ± 0.5 mm from the horizontal and the vertical edges of the document table glass cannot be scanned.

3. Close the document cover.

Note:

- Do not place heavy objects on the top of the scanner.
- Do not move the scanner while it is scanning a document; this is to avoid the scanned image becoming distorted.

Scanning Your Document Using EPSON Scan

EPSON Scan provides three modes for you to modify any scanning settings: Home Mode, Office Mode, and Professional Mode. This section describes how to start EPSON Scan from Photoshop Elements in the Home Mode. The Home Mode lets you scan images using the basic settings. For more details, see your *Online Reference Guide* and *Software online help*.

Note:

If you do not have the Online Reference Guide on your computer, see "Installing the Software" on page 5 to install it from the CD-ROM.

Note for Macintosh users:

Most illustrations shown in this section are for Windows. They may be different in appearance from what actually appears on your screen; however the instructions are the same, except as noted.

Note for Mac OS X 10.3 users:

Do not use the Fast User Switching function while using Expression 10000XL.

1. Start Adobe Photoshop Elements.

For Windows users:

Click Start, point to All Programs (for Windows XP users) or Programs (for Windows 2000, Me or 98 users), and then click Adobe Photoshop Elements.

For Macintosh users:

Double-click the Adobe Photoshop Elements folder in Macintosh HD, and then double-click the Photoshop Elements icon.

2. Select Import from the File menu, and then choose EPSON Expression 10000XL. EPSON Scan starts.

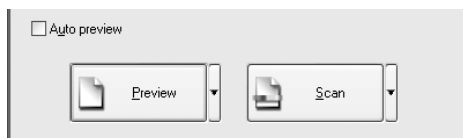
Note for Windows XP users:

Do not choose WIA-EPSON Expression 10000XL from the menu to select the scanner. If you select it, you cannot use the Epson scanner functions fully.

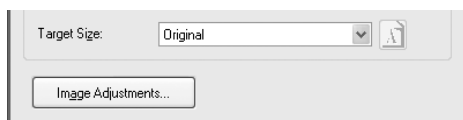
3. Specify the Document Type, Image Type, and Destination settings to match your images.



4. Click Preview to preview the image.



5. Use Target Size to specify the output size of the scanned image.



6. Click **Scan**. EPSON Scan starts scanning.
7. The scanned image is sent to Adobe Photoshop Elements. Click **Close** to finish EPSON Scan, if necessary.
8. Select **Save As** from the File menu in Adobe Photoshop Elements.
9. Type a file name, select a file format, and then click **Save**.

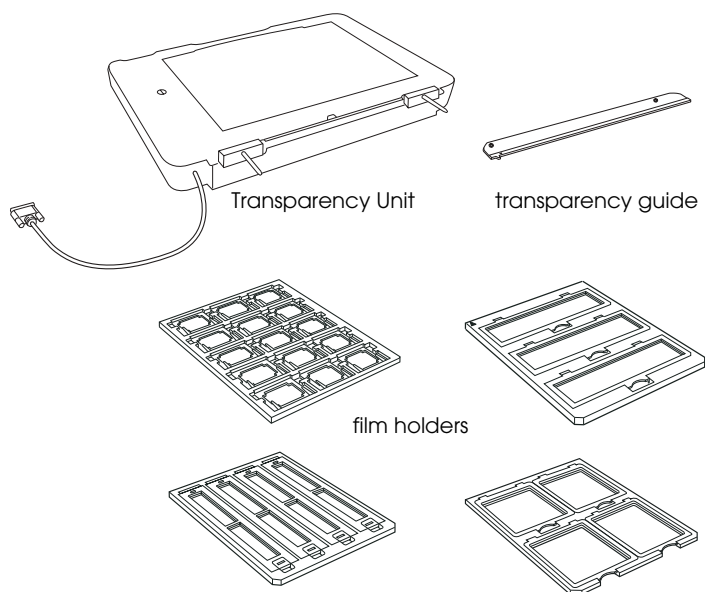
6 Options

Using the Transparency Unit

The optional A3 Transparency Unit (B81336*) makes it possible to scan films and slides, in full color. Once you install the Transparency Unit, you can leave it in place even when you want to return to scanning reflective (paper) documents.

Unpacking the Transparency Unit

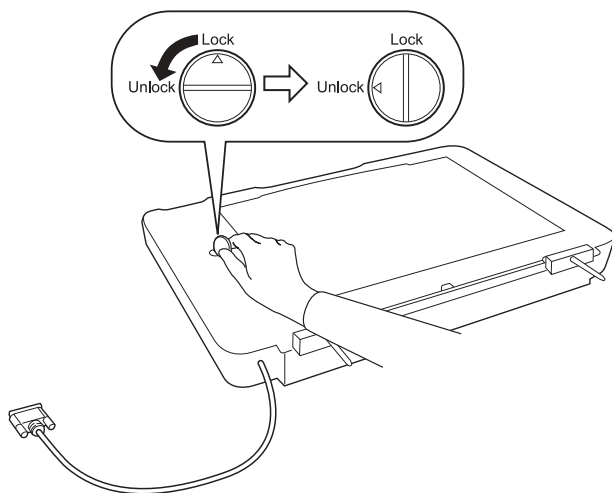
Make sure that all the items shown below are included and have not been damaged during shipping. Contact your Epson dealer if any item is missing or damaged.



Unlocking the transportation lock

Before you install the Transparency Unit, you need to unlock the transportation lock.

1. Turn the unit so that the glass side faces up.
2. Use a coin to unlock the transportation lock by turning it counterclockwise one-quarter.



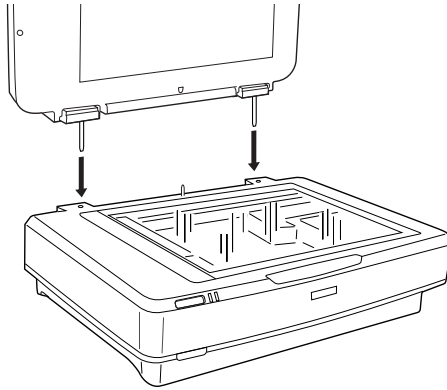
Note:

- ❑ Before transporting the scanner, lock its transportation lock to prevent any damage.
- ❑ If the unit's lamp assembly is not in its home position, you cannot turn the transportation lock. If this is the case, attach the unit to the scanner, close the unit, and turn the scanner on; the unit's lamp assembly then returns to its home position. Turn off the scanner and remove the Transparency Unit.

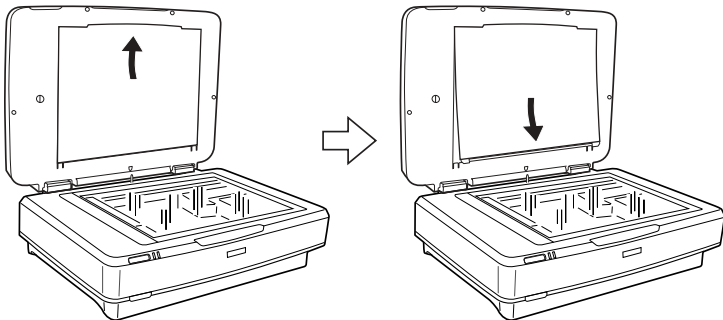
Installing the Transparency Unit

Follow the steps below to install the Transparency Unit.

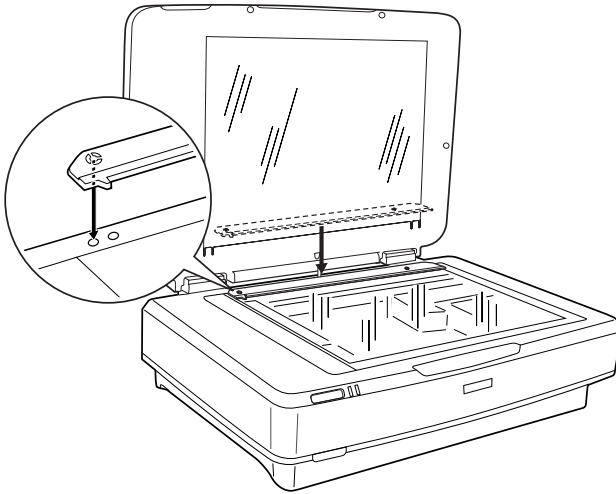
1. Make sure the scanner is turned off, and then unplug the power cord from the scanner.
2. Open the scanner's document cover, and then remove it by lifting the back of the cover straight up.
3. Align the pins of the unit with the holes of the scanner, and then lower the unit until it rests securely on the scanner with the pins in the holes.



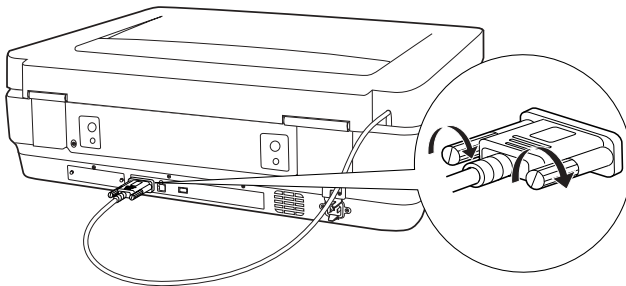
4. Remove the reflective documents mat from the Transparency Unit as shown below.



5. Place the transparency guide on the scanner's document table as shown below.



6. Close the Transparency Unit.
7. Connect the Transparency Unit's connector to the option connector at the back of the scanner.





Caution:

Do not put heavy objects on the Transparency Unit; otherwise the unit may be damaged.

To scan slides or strips of negative or positive film, see the *Online Reference Guide*.

Note:

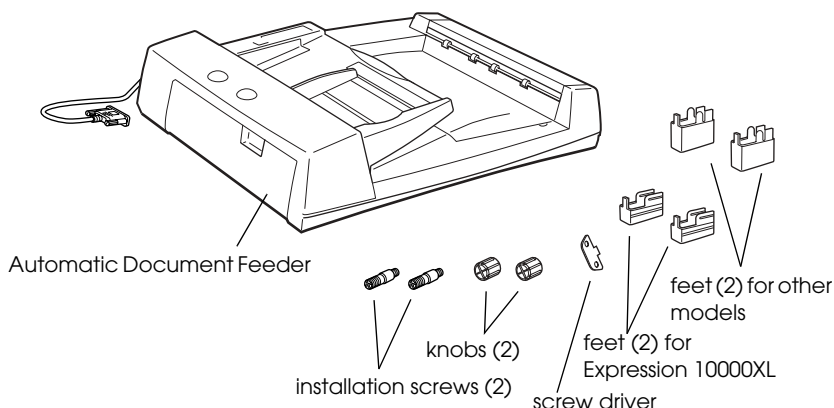
If you do not have the Online Reference Guide on your computer, see "Installing the Software" on page 5 to install it from the CD-ROM.

Using the Automatic Document Feeder

A3 Automatic Document Feeder (B81321*) allows you to automatically load multi-page documents into your scanner. This document feeder is particularly useful for OCR (optical character recognition) scanning, or for creating an image database.

Unpacking the Automatic Document Feeder

When you unpack, make sure you have all the parts shown below and that none is damaged. If you find any missing or damaged items, contact your Epson dealer immediately.



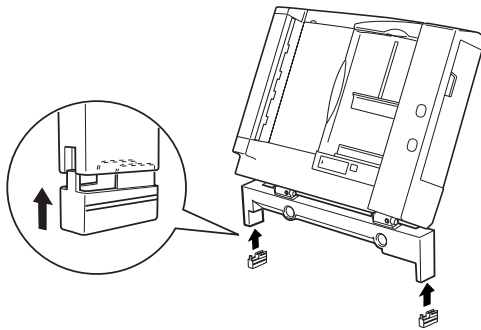
Installing the Automatic Document Feeder

Before installing the Automatic Document Feeder, be aware that:

- ❑ The Automatic Document Feeder is heavy, so you may need to have someone help you lift it.
- ❑ The Automatic Document Feeder is large, so you should clear sufficient space around the scanner.

Follow the steps below to install the Automatic Document Feeder on your Epson scanner.

1. Make sure your scanner is turned off, and then unplug the power cord.
2. Open the scanner's document cover, and then remove it by lifting the back of the cover straight up.
3. Attach the two smaller feet with a groove on the side as shown below.

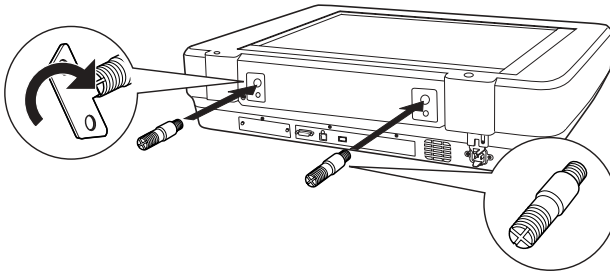


Note:

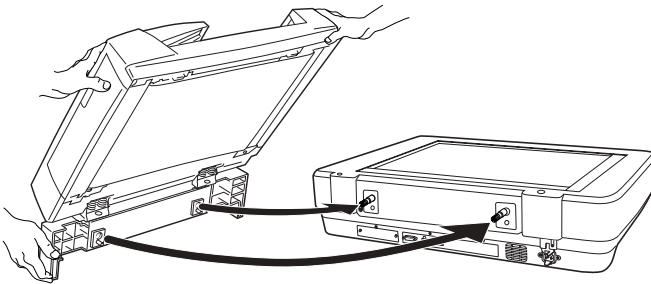
When removing the feet, turn and remove them as shown below.



4. Insert the installation screws into the holes on the back of the scanner, and then secure them using the included screwdriver.



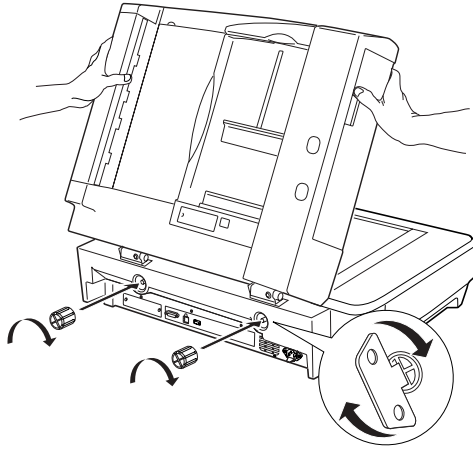
5. Align the installation screws with the holes in the Automatic Document Feeder. Slide so that the holes are over the installation screws.



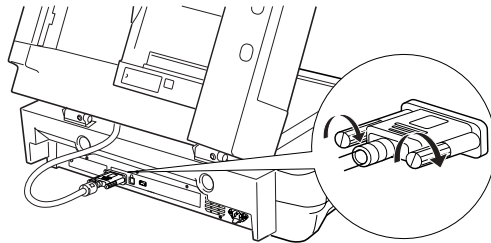
Warning:

The Automatic Document Feeder is heavy. Get assistance when lifting it.

- Secure the knobs to the ends of the installation screws using the included screwdriver.



- Attach the Automatic Document Feeder's connector to the scanner's option interface.



- Close the Automatic Document Feeder.

For details on how to use the Automatic Document Feeder, see the *Online Reference Guide*.

Note:

If you do not have the *Online Reference Guide* on your computer, see "Installing the Software" on page 5 to install it from the CD-ROM.

Using the Optional Network Image Express Card

The EPSON Network Image Express Card (B80839*) enables an Epson scanner supporting network functions to be used on a network. This is an alternative to having the scanner connected to a server PC. For information on how to use it, refer to the documentation supplied with EPSON Network Image Express Card.

Note:

Do not install other option card except the EPSON Network Image Express Card (B80839); otherwise damage may occur.*

System requirements

The Network Image Express Card supports the following environments.

Windows

Operating system	Windows® XP, 2000, Me, and 98
Protocol	TCP/IP

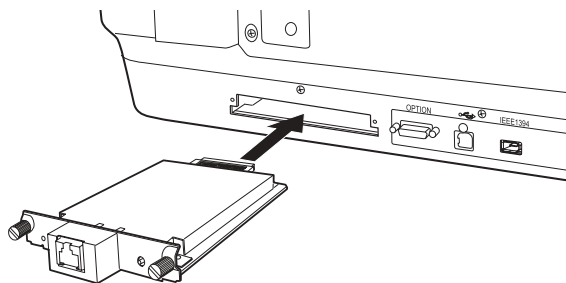
Macintosh

Operating system	Mac OS 9.1 to 9.2, Mac OS X 10.2 or later
Protocol	TCP/IP

Installing the Network Image Express Card

Install the Network Image Express Card in your scanner by following the steps below.

1. Turn off the scanner. Unplug any power cords, and then disconnect all cables from the back panel of your scanner.
2. Remove the two screws using a cross-head screwdriver, and then remove the plate. Be sure to keep both screws; you may need to use them again if you re-install the shield plate.
3. Insert the Network Image Express Card in your scanner's optional interface slot and then tighten the screws.



Caution:

Do not install or uninstall the Network Image Express Card from the scanner while the scanner is turned on; otherwise damage may occur.

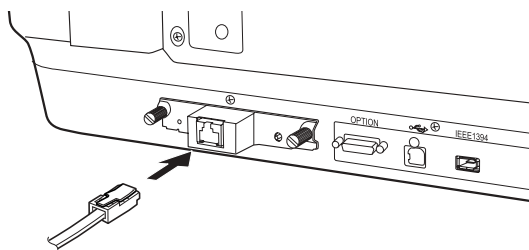
4. Initialize the Network Image Express Card. To initialize, turn on the scanner while holding down the Reset button of the Network Image Express Card for 10 seconds until the red status light and green data light turn on.

Note:

Be sure to initialize the Network Image Express Card when you insert or re-insert it in the scanner.

5. Turn off the scanner.

6. Connect an Ethernet cable (Category 5 shielded twisted-pair cable) to the RJ-45 connector on the Network Image Express Card, and then connect its other end to the network.



Caution:

- ❑ You must use a Category 5 shielded twisted-pair cable to connect the Network Image Express Card to prevent malfunction.
 - ❑ Do not connect the Network Image Express Card and the computer directly. Be sure to use a HUB to connect the Network Image Express Card to the network.
7. Turn on the scanner.
 8. Check the lights on the Network Image Express Card. Initialization is in progress while the red status light and the green data light are on. When the yellow status light goes on, initialization is complete.

Now, you can configure the Network Image Express Card. For the detail on using your scanner on a network, refer to the documentation supplied with the EPSON Network Image Express Card.

7 Problems?

Checking the lights on the scanner

First, check the indicator light on the scanner.

Indicator light	Description
Flashing green	The scanner is warming up or scanning.
Green	The scanner is ready to scan.
Flashing red	Try restarting your computer and turning the scanner off, and then on again. If the red light is still flashing, contact your dealer.
Red	Try the scanning operation again.
Off	Make sure the scanner is connected to your computer, and turned on.

Troubleshooting

If your problem is listed here, try these suggestions.

Problem	Solution
The New Hardware Wizard appears on your screen.	Click Cancel, and then follow the steps described in "Installing the Software" on page 5. Disconnect the scanner before installing the software.
You see a message about a HI-SPEED USB device on Windows XP.	Click the x in the corner of the message to close it. Your scanner will work correctly, although not at maximum speed.
You see an error message when you try to scan, or the scanner does not scan.	Make sure the scanner is connected to your computer, plugged into an electrical outlet, and the power button is turned on.

The corner of your photo is not scanned.	Move your photo at least 1.5 mm away from the top and right edges of the document table.
------------------------------------------	------------------------------------------------------------------------------------------

Getting more information about your scanner

Additional information is available in the following sources.

- ❑ Double-click the Exp10000XL Reference Guide icon on your desktop. You must have Microsoft Internet Explorer or Netscape Navigator (versions 5.0 or later) to read the *Online Reference Guide*.

Note:

If you do not have the Online Reference Guide on your computer, see "Installing the Software" on page 5 to install it from the CD-ROM.

- ❑ **On-screen Help for EPSON Scan:** Click the Help button or question mark that appears on the screen in these programs.

EPSON OVERSEAS MARKETING LOCATIONS

Epson America, Inc.

3840 Kilroy Airport Way
Long Beach, CA 90806
Phone: (562) 981-3840
Fax: (562) 290-5220

EPSON UK LTD.

Campus 100, Maylands Avenue,
Hemel Hempstead, Herts,
HP2 7TJ, U.K.
Phone: (+44) 01442 261144
Fax: (+44) 01442 227227

EPSON DEUTSCHLAND GmbH

Zülpicher Straße 6,
40549 Düsseldorf Germany
Phone: (0211) 56030
Fax: (0211) 5047787

EPSON FRANCE S.A.

68 bis, rue Marjolain
92300, Levallois-Perret, France
Phone: 33.1.41.86.26.56
Telex: 610657

EPSON AUSTRALIA PTY. LTD.

70 GIBBES STREET,
CHATSWOOD 2067 NSW.
Phone: 2-9903-9000
Fax: 2-9903-9177

EPSON SINGAPORE PTE. LTD.

No. 1 Temasek Avenue #36-00
Millenia Tower, Singapore 039192
Phone: (065) 633 77 911
Fax: (065) 633 41 185

EPSON HONG KONG LTD.

20/F, Harbour Centre,
25 Harbour Road,
Wanchai, Hong Kong
Phone: 2585-4300
Fax: 2827-7083

EPSON TAIWAN TECHNOLOGY & TRADING LTD.

14F, No.7, Song Ren Road, Taipei,
Taiwan 110
Phone: (02) 8786-6688
Fax: (02) 8786-6633

EPSON ITALIA S.p.A.

V.le F.lli Casiraghi 427
20099 Sesto S.Giovanni
MI, Italy
Phone: +3902262331
Fax: +39022440750

EPSON IBERICA S.A.

Av. de Roma, 18-26
08290 Cerdanyola del Valles
Barcelona, Spain
Phone: 582. 15.00
Fax: 582. 15.55

**SEIKO EPSON CORPORATION
(Hirooka Office)**

80 Harashinden, Hirooka
Shiojiri-shi, Nagano-ken
399-0785 Japan

EPSON PORTUGAL, S.A.

R. do Progresso, 471, 1° Perafita
4460 Matosinhos, Portugal
Phone: (02) 996 14 02
Fax: (02) 996 14 11

EPSON

Color Image Scanner

EPSON EXPRESSION™ 10000 XL

Setup Guide

Printed in XXX
XX.XX-XX